

# CSF-Series Single



- Wide Input voltage range (free voltage or auto selection)
- Over Voltage Protection (except for 15W)
- Over Current Protection
- 4 Year Warranty

## CSF 15-24

① Series name    ② Total output wattage    ③ Output voltage

Single Output

NEW!

MODEL	CSF15	CSF30	CSF50	CSF75	CSF100	CSF150	CSF300	CSF600	CSF1000	CSF1500	
INPUT VOLTAGE, FREQUENCY	AC100-240V(AC85~264 or DC120~370V), 50/60Hz Universal Input				*1		AC100-240V(AC85~264V or DC120-370V), 50/60Hz Universal Input				
OUTPUT VOLTAGE/ CURRENT	3.3V	3A	6A	10A	15A	20A	30A	55A	100A	-	-
	5V	3A	6A	10A	15A	20A	30A	55A	100A	-	240A
	9V	1.7A	3.4A	5.6A	8.4A	11A	16.7A	33.3A	66.5A	-	150A
	12V	1.3A	2.5A	4.3A	6.4A	8.4A	12.5A	26A	50A	60A	125A
	15V	1A	2A	3.5A	5A	6.7A	10A	21A	40A	50A	100A
	24V	0.7A	1.3A	2.2A	3.2A	4.2A	6.3A	13A	25A	40A	63A
	48V	-	0.63A	1.1A	-	2.1A	3.2A	6.7A	12.5A	21A	32A
INPUT CURRENT [A] (Io=100%)	110V	0.4	0.8	0.9	2.0	2.0	3.6	3.6	7.2	12	16
	220V	0.2	0.4	0.6	0.8	1.2	2.0	1.8	3.6	6	7.8
EFFICIENCY [%]	110V	77 typ	80 typ	78 typ	84 typ	83 typ	84 typ	84 typ	81 typ	88 typ	86 typ
	220V	78 typ	80 typ	75 typ	80 typ	86 typ	88 typ	84 typ	84 typ	88 typ	90 typ
POWER FACTOR	110V	-	-	-	-	-	-	0.98	0.98	0.98	0.98
	220V	-	-	-	-	-	-	0.95	0.93	0.95	0.95
OPERATING TEMP AND HUMID	-10~+70°C (Required Derating), 20~90% RH (Non Condensing)										
SAFETY REGULATION	UL, C-UL, CE, CB										
SIZE(W×H×D/mm)	82×28×65	82×31.5×84	82×31.5×120	82×35.5×135	82×36.5×165	82×45×175	102×52×192	120×52×190	127×41×295	126.5×82×280	
WEIGHT(g)	180	210	300	380	400	560	980	2000	1500	3800	

\*1 AC100-120V/200~240V(AC90~132V/AC180~264V or DC240~370V), Auto selectable), 50/60Hz

\* Input voltage of CSF1000 is "AC100~240V(AC85~264 or DC120~370V), 50/60Hz(47~440Hz) UUUUniversal Input"

\* Efficiency is based on a 24V reference.

\* More detail specification, visit ORIENT Electronics website and find CSF series

# CSF-Series Dual, Triple



Dual Output

## CSF 50-BHW

① ② ③

① Series name ② Total output wattage ③ Output voltage

MODEL		CSF15	CSF30	CSF50	CSF75	CSF100	
INPUT VOLTAGE, FREQUENCY		AC100-240V(AC85~264 or DC120~370V), 50/60Hz(47~440Hz)Universal Input			AC100-120V/200~240V(AC90~132V or DC240~370V), Auto Selectable		
OUTPUT VOLTAGE/ CURRENT	BBW	5V	-	2A	-	-	
		5V	-	2A	-	-	
	BDW	5V	0.1~2A	0.3~3A	0.5~5A	0.6~6A	1~10A
		12V	0.5A	1.3A	2A	3.5A	4A
	BEW	5V	-	-	0.5~5A	-	-
		15V	-	-	1.7A	-	-
	BHW	5V	-	0.3~3A	0.5~5A	0.6~6A	1~10A
		24V	-	0.6A	1A	2A	2A
	DDW	12V	0.1~0.7A	1.3A	0.1~2.5A	-	-
		12V	0.7A	1.3A	1.5A	-	-
EEW	15V	0.1~0.5A	1A	0.1~2A	-	-	
	15V	0.5A	1A	1.5A	-	-	
INPUT CURRENT [A] (Io=100%)	110V	0.4	0.65	1.2	1.8	2.4	
	220V	0.25	0.35	0.7	1.0	1.4	
EFFICIENCY [%]	110V	68 typ	71 typ	75 typ	75 typ	75 typ	
	220V	67 typ	72 typ	75 typ	75 typ	75 typ	
OPERATING TEMP AND HUMID		-10~+70°C (Required Derating), 20~90% RH (Non Condensing)					
SAFETY REGULATION		CE, CB					
SIZE(W×H×D)(mm)		82×31.5×84	82×31.5×120	82×35.5×135	82×36.5×165	82×45×175	
WEIGHT(g)		210	290	360	450	560	

\* Efficiency is based on a 5V~12V dual reference.

\* More detail specification, visit ORIENT Electronics website and find CSF series

Triple Output

## CSF 50-DD

① ② ③

① Series name ② Total output wattage ③ Output voltage

MODEL		CSF15	CSF30	CSF50	
INPUT VOLTAGE, FREQUENCY		AC100-240V(AC85~264 or DC120~370V), 50/60Hz(47~440Hz)Universal Input			
OUTPUT VOLTAGE/ CURRENT	DD	5V	0.1~2A	0.3~3A	0.5~5A
		12V	0.3A	1.0A	1.8A
		12V	0.2A	0.3A	0.3A
	EE	5V	0.1~2A	0.3~3A	0.5~5A
		15V	0.3A	0.8A	1.4A
		15V	0.2A	0.2A	0.3A
INPUT CURRENT [A] (Io=100%)	110V	0.4	0.65	1.2	
	220V	0.25	0.35	0.7	
EFFICIENCY [%]	110V	69 typ	71 typ	75 typ	
	220V	67 typ	71 typ	75 typ	
OPERATING TEMP AND HUMID		-10~+70°C (Required Derating), 20~90% RH (Non Condensing)			
SAFETY REGULATION		CE, CB			
SIZE(W×H×D)(mm)		82×31.5×84	82×31.5×120	82×35.5×135	
WEIGHT(g)		220	290	360	

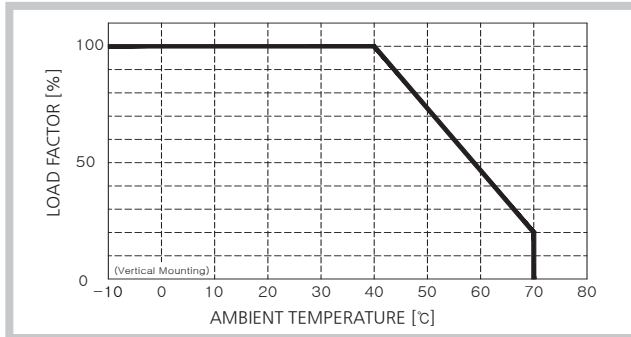


\* Efficiency is based on a 5V-12V-12V triple reference.

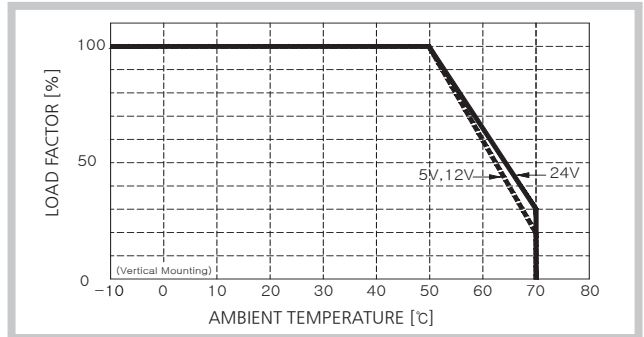
\* More detail specification, visit ORIENT Electronics website and find CSF series

## Output Derating Curve

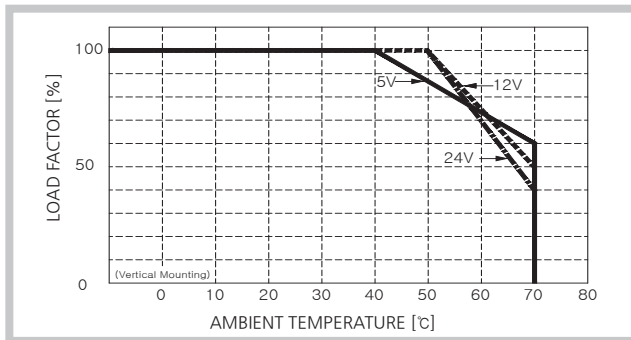
### CSF15, 30-Series



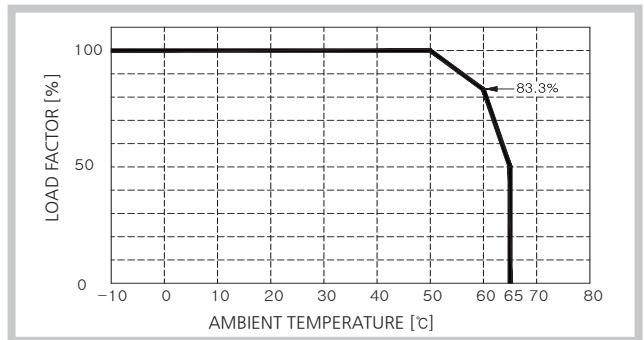
### CSF50, 75, 100-Series



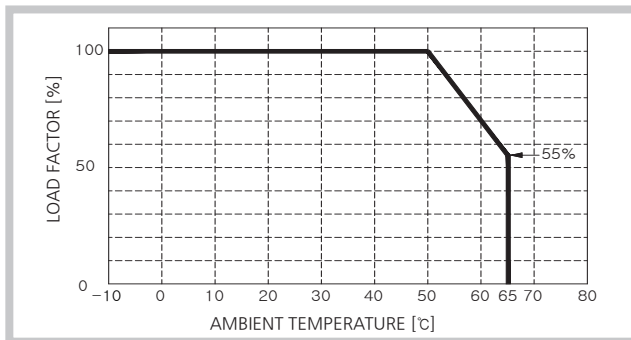
### CSF150-Series



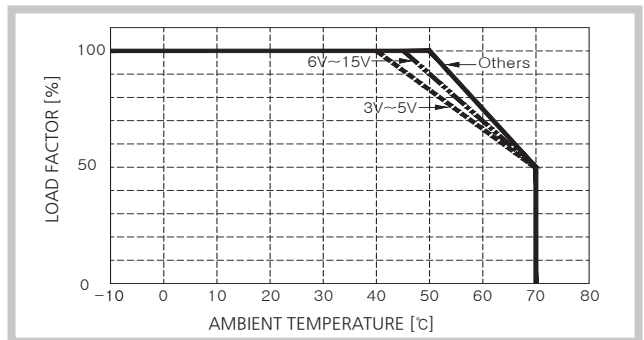
### CSF300-Series



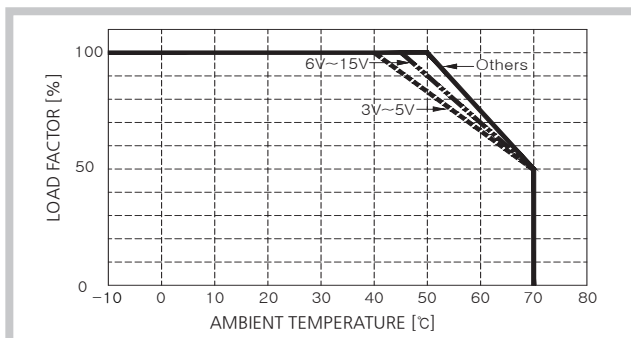
### CSF600-Series



### CSF1000-Series



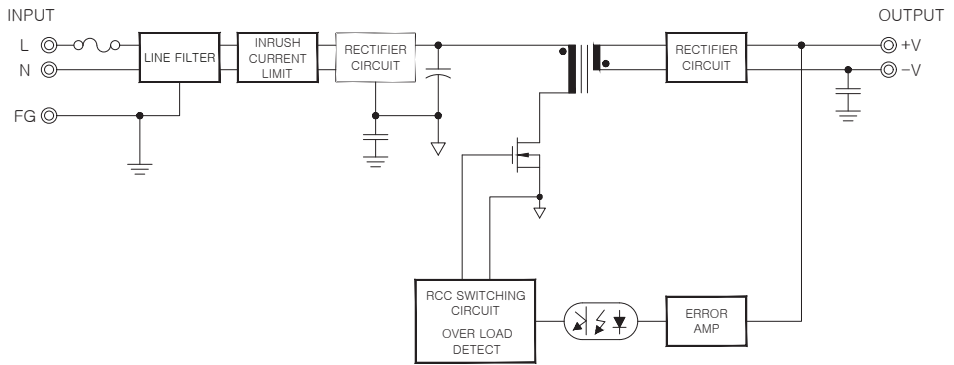
### CSF1500-Series



# CSF-Series

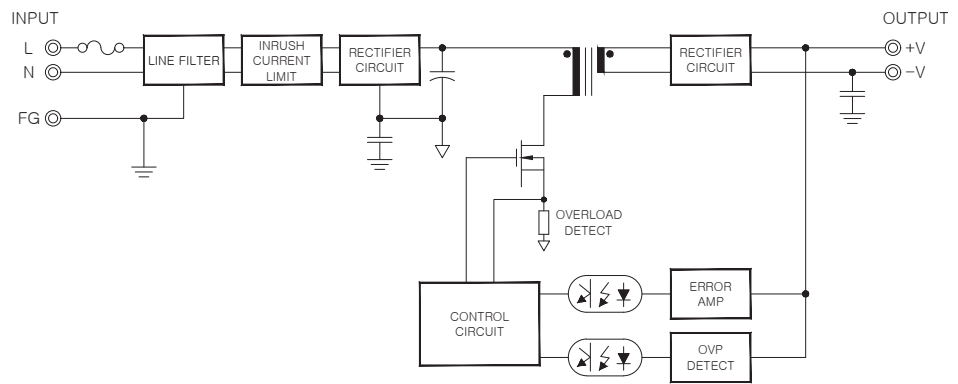
## CSF 15 Series

### Block Diagram



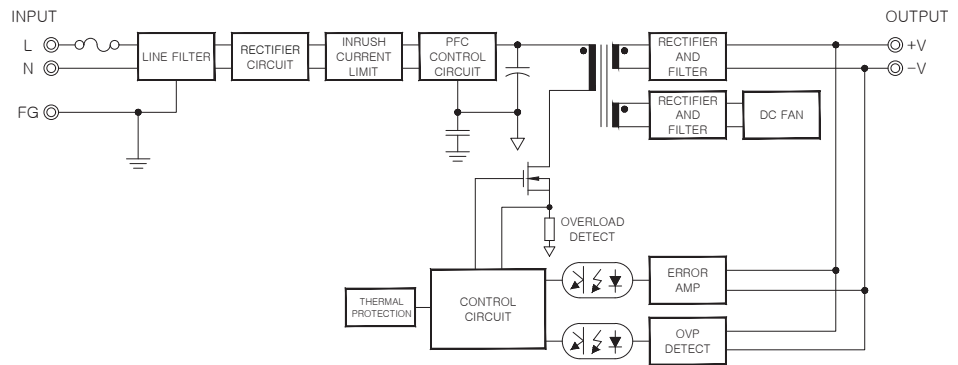
## CSF 30 Series

### Block Diagram



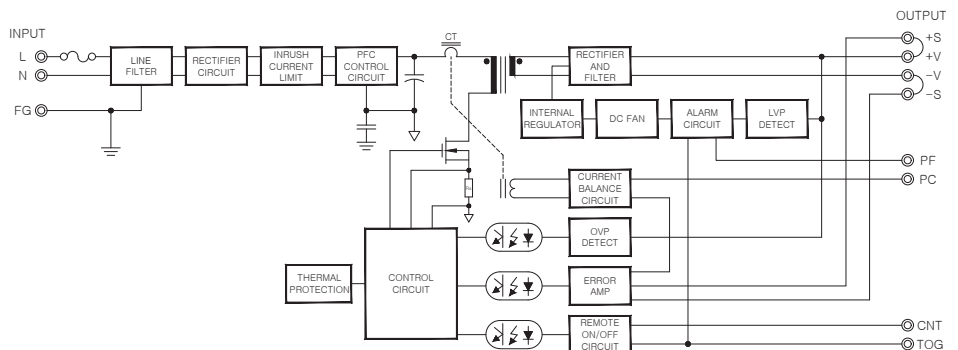
## CSF 300 Series

### Block Diagram

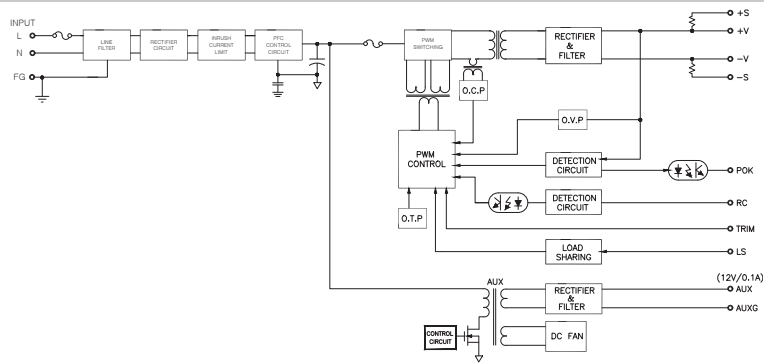


## CSF 600 Series

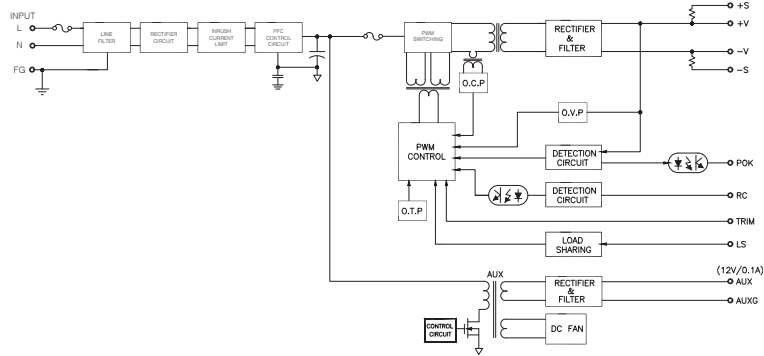
### Block Diagram



## CSF 1000 Series Block Diagram

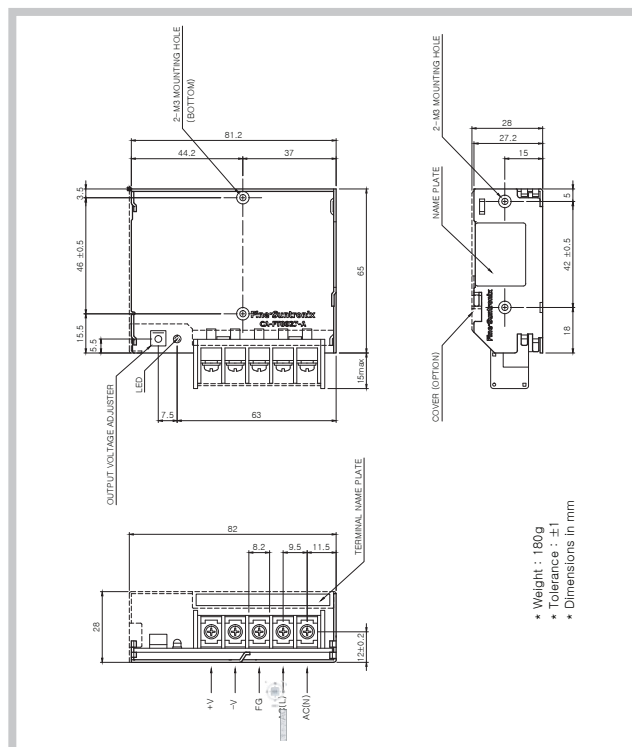


## CSF 1500 Series Block Diagram

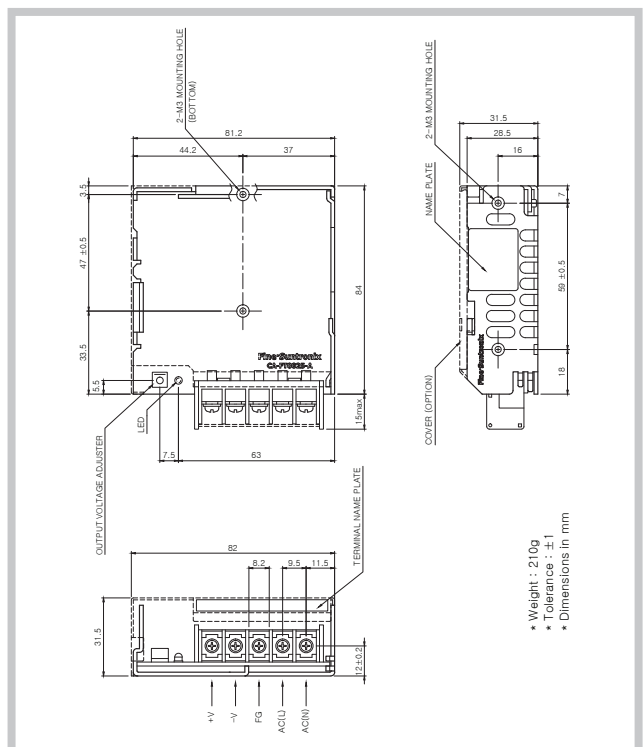


## Dimension

### CSF15-Series



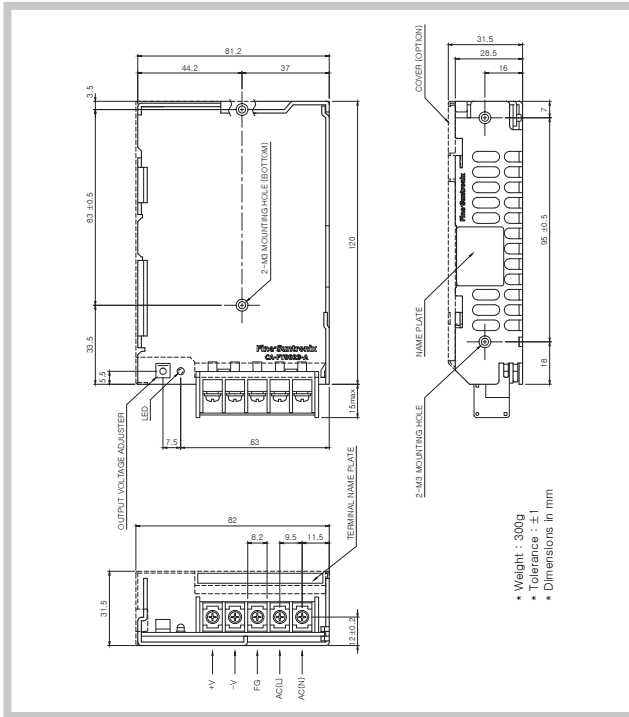
### CSF30-Series(CSF15-Dual, Triple-Series)



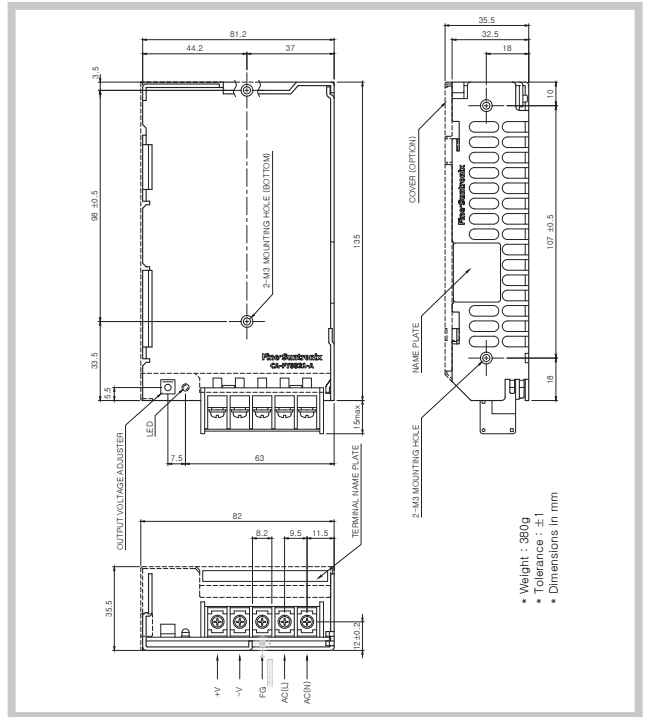
# CSF-Series

## Dimension

### CSF50-Series (CSF30-Dual, Triple-Series)

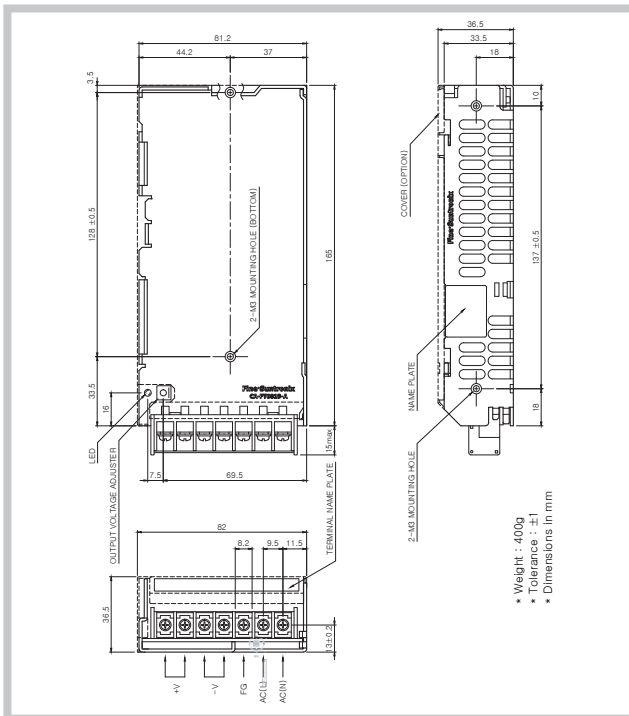


### CSF75-Series (CSF50-Dual, Triple-Series)



## Dimension

### CSF100-Series (CSF75-Dual-Series)



### CSF150-Series (CSF100-Dual-Series)

